



PARTS CATALOG

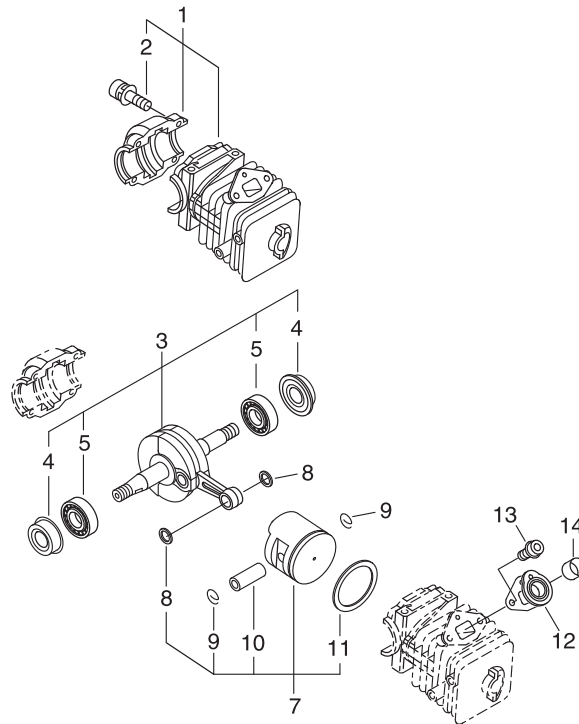
CHAIN SAW CS-281WES(37)

37000001 -



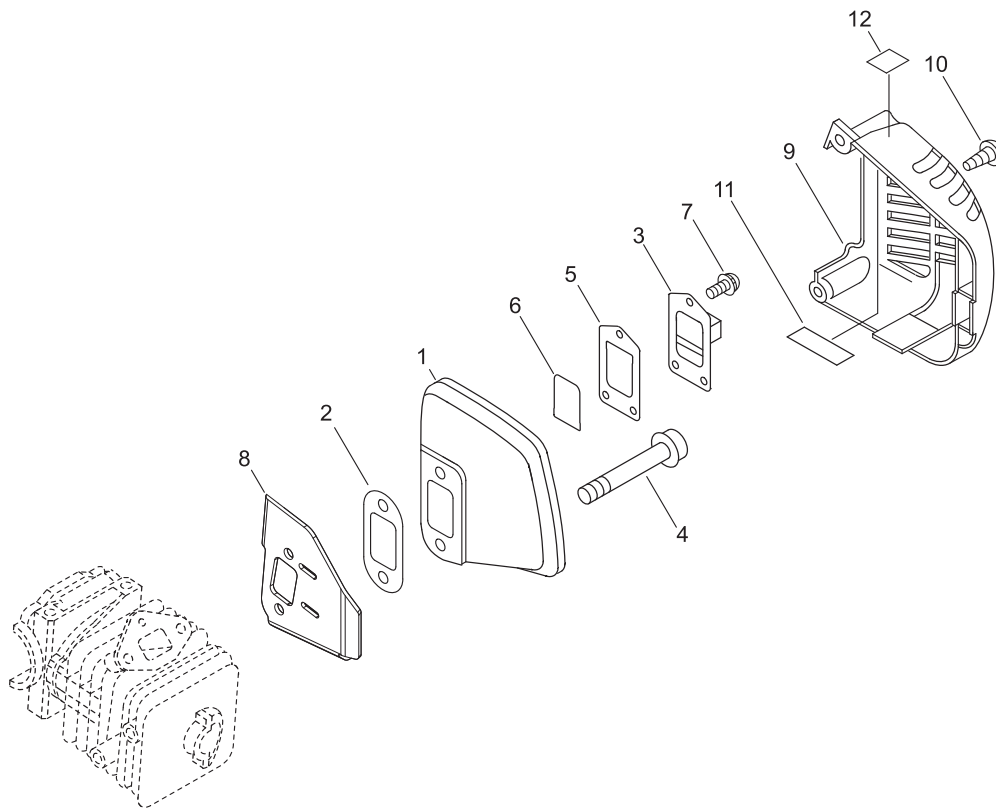
P014-003940-14Fb

1. CYLINDER, CRANKCASE, PISTON



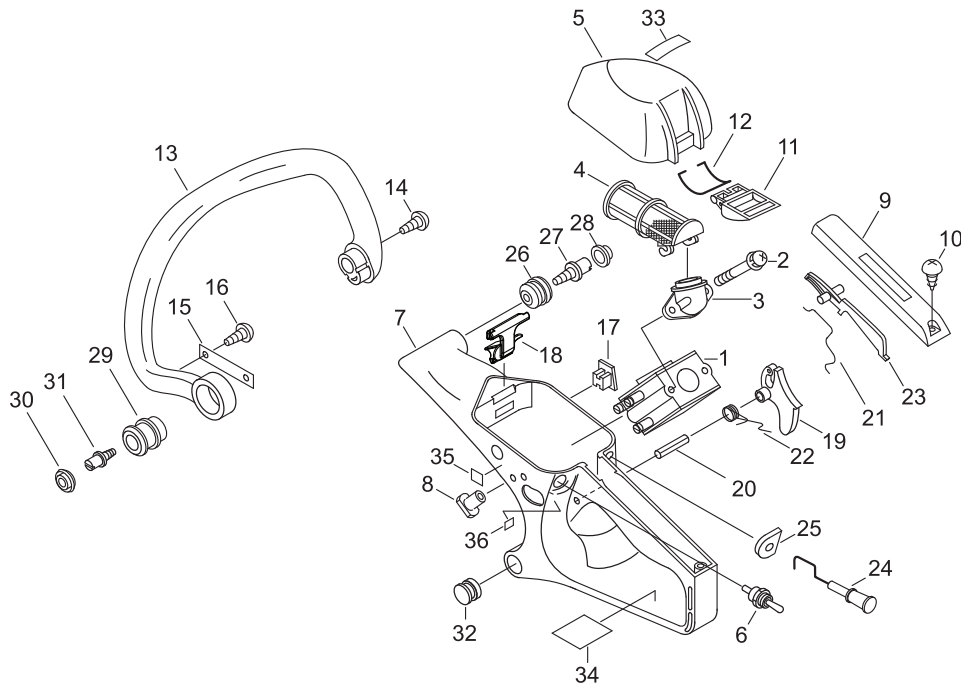
KEY	LV	PART NUMBER	Q'TY	DESCRIPTION	REMARKS	NOTE1	NOTE2
1		P021-044050	1	CYLINDER KIT	CS-271T		
2	+	900162-05022	4	BOLT, H.S. 5*22	5*22 W,SW		
3		P021-038072	1	CRANKSHAFT ASY			
4	+	V505-000001	2	SEAL,OIL	12*28*5.5		
5	+	900800-36001	2	BEARING, BALL 6001	6001/C3		
7		P021-044060	1	PISTON KIT	CS-271T		
8	+	100014-11520	2	SPACER, PISTON PIN			
9	+	100015-04630	2	CIRCLIP, PISTON PIN			
10	+	100013-22330	1	PIN, PISTON			
11	+	A101-000630	1	RING, PISTON			
12		A202-000001	1	BELLOWS,INTAKE			
13		900162-04012	2	BOLT, H.S. 4*12	4*12 W,SW		
14		V358-000021	1	COLLAR,14			

2. MUFFLER



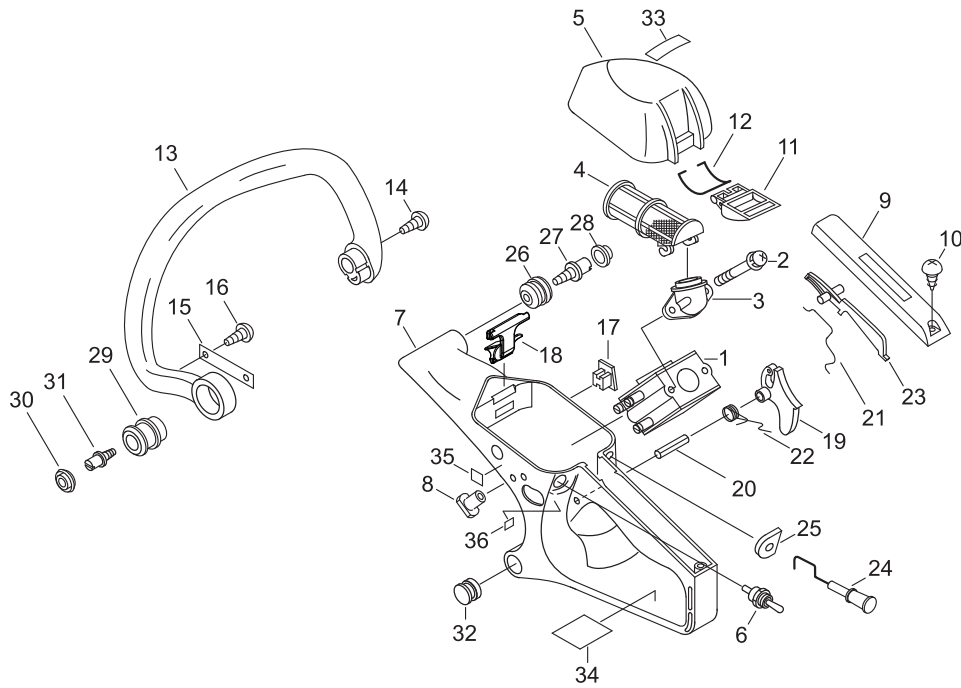
KEY	LV	PART NUMBER	Q'TY	DESCRIPTION	REMARKS	NOTE1	NOTE2
1		A300-001641	1	MUFFLER, EXHAUST			
2		V104-001860	1	GASKET, EXHAUST			
3		A313-001970	1	GUIDE, EXHAUST	T0.6		
4		91107-05045	2	BOLT HSH FLANGE	M5*45		
5		V104-001850	1	GASKET, EXHAUST			
6		A310-000420	1	SCREEN, ARRESTOR			
7		900242-04010	3	SCREW 4*10	4*10		
8		A312-000060	1	PLATE, EXHUST			
9		A320-001030	1	COVER, MUFFLER			
10		900253-04016	2	SCREW 4*16	4*16		
11		V341-000180	1	WASHER, SQUARE	54*14 T0.15		
12		X505-007710	1	LABEL, CAUTION			

3. HANDLE



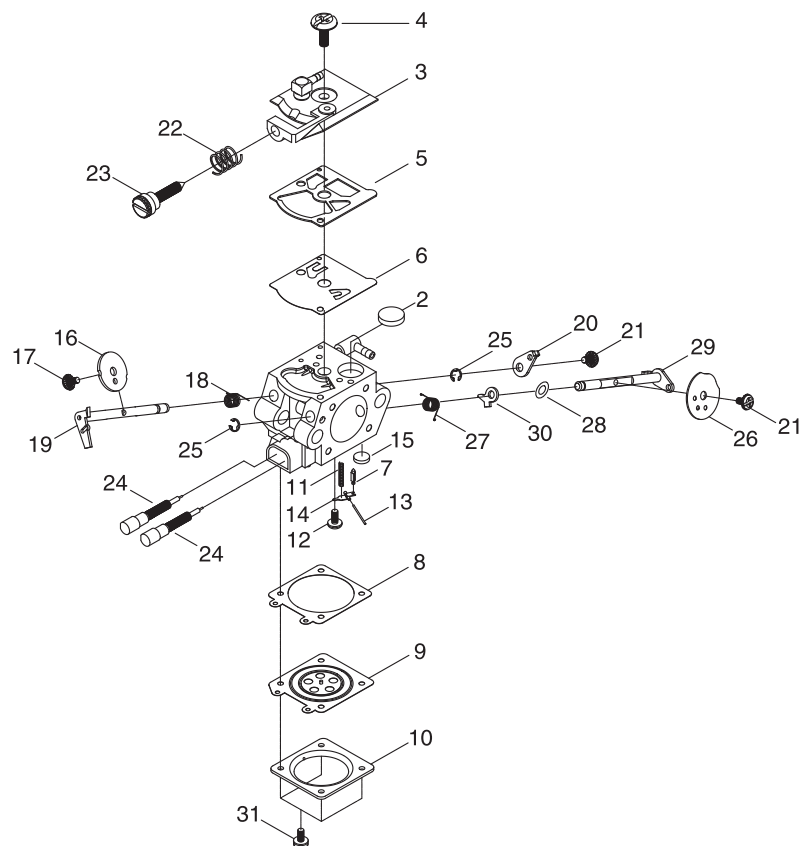
KEY	LV	PART NUMBER	Q'TY	DESCRIPTION	REMARKS	NOTE1	NOTE2
1		A021-004290	1	CARBURETOR, DIAPHRAGM			
2		900238-05050	2	SCREW 5*50	5*50		
3		A204-000060	1	ELBOW,CARBURETOR			
4		A226-000260	1	ELEMENT,AIR FILTER			
5		A232-000191	1	LID,CLEANER			
6		A440-000430	1	SWITCH,ON OFF			
7		C410-000157	1	HANDLE,REAR			
8		130020-33330	2	NUT			
9		C411-000001	1	LID,HANDLE			
10		900253-04012	1	SCREW	4*12		
11		A235-000140	1	KNOB,CLEANER LID			
12		V582-000020	1	RING,SNAP	CSE2700		
13		C400-000200	1	HANDLE,FRONT			
14		900253-05020	2	SCREW 5*20	5*20		
15		C617-000200	1	STOPPER			
16		900253-04008	1	SCREW 4*8	4*8		
17		V141-000050	1	GROMMET,PLUG			
18		V142-000030	1	GROMMET,DUST			
19		C450-000141	1	TRIGGER,THROTTLE			
20		900345-40025	1	PIN, SPRING 4*25SUS	4*25SUS		
21		C454-000080	1	ROD,THROTTLE			
22		V452-000260	1	SPRING,TORSION			
23		178090-37930	1	LOCKOUT, T. CONTROL			
24		A241-000060	1	KNOB,CHOKE			
25		V130-000000	1	GROMMET,CHOKE			

3. HANDLE



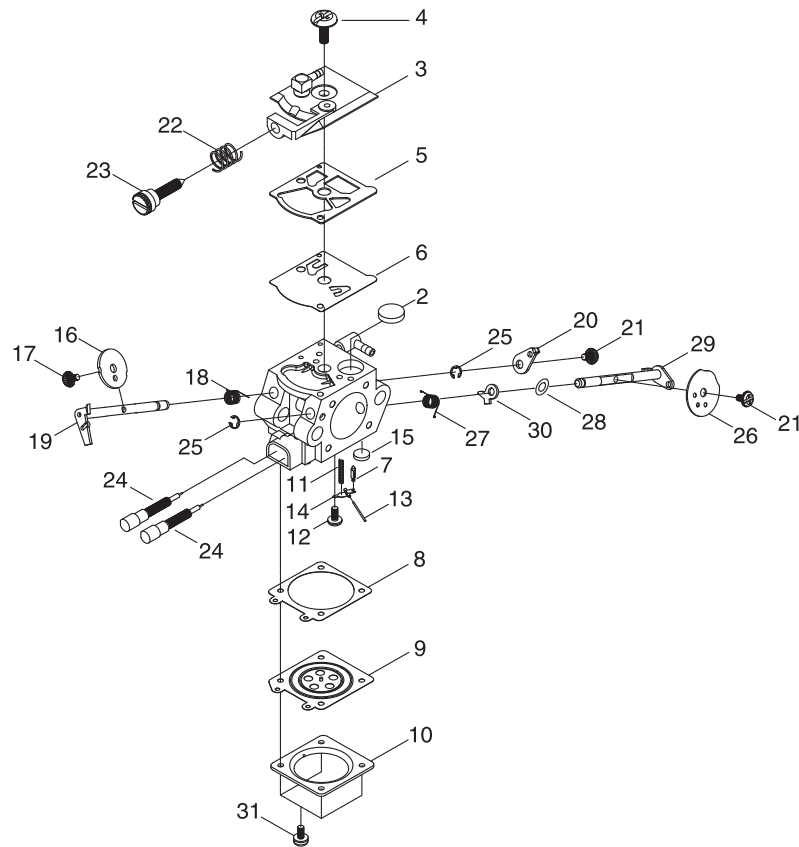
KEY	LV	PART NUMBER	Q'TY	DESCRIPTION	REMARKS	NOTE1	NOTE2
26		V401-000560	1	CUSHION,5			
27		V202-000670	1	BOLT,4			
28		100918-15130	1	CAP			
29		100910-60030	1	CUSHION			
30		100918-19830	1	CAP, CUSHION			
31		100915-33930	1	SCREW			
32		V420-000930	1	CUSHION			
33		X503-012970	1	LABEL,MODEL	CS-281WES EU ST2		
34		890345-39231	1	LABEL,CAUTION			
35		X505-006921	1	LABEL,CAUTION	13000R/MIN		
36		890157-39131	1	LABEL, SWITCH			

4. CARBURETOR



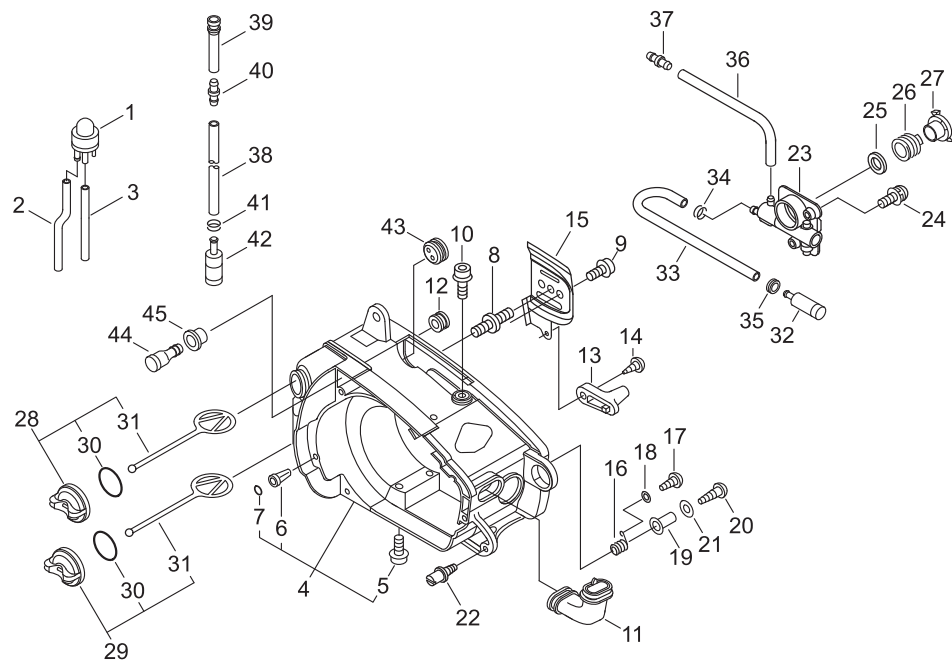
KEY	LV	PART NUMBER	Q'TY	DESCRIPTION	REMARKS	NOTE1	NOTE2
		A021-004290	1	CARBURETOR, DIAPHRAGM			
2	+	123126-10631	1	SCREEN, INLET			
3	+	123124-24430	1	COVER, FUEL PUMP			
4	+	P003-005120	1	SCREW			
5	+	123125-15030	1	GASKET, FUEL PUMP			
6	+	123112-15030	1	DIAPHRAGM, FUEL PUMP			
7	+	123137-19830	1	VALVE, INLET NEEDLE			
8	+	123140-03930	1	GASKET, M. DIAPHRAGM			
9	+	P003-001850	1	DIAPHRAGM, METERING			
10	+	123142-03930	1	COVER, M. DIAPHRAGM			
11	+	123122-03660	1	SPRING, METER. LEVER			
12	+	123139-03930	1	SCREW, M. LEVER PIN			
13	+	123138-03930	1	PIN, METERING LEVER			
14	+	123123-03930	1	LEVER, METERING			
15	+	123146-10631	1	PLUG, WELCH			
16	+	123116-05960	1	VALVE, THROTTLE			
17	+	P003-002380	1	SCREW			
18	+	123113-37530	1	SPRING, THROTTLE RTN			
19	+	P003-001300	1	SHAFT, THROTTLE			
20	+	P003-001040	1	LEVER THROTTLE			
21	+	123114-38830	2	SCREW			
22	+	123133-04260	1	SPRING, IDLE ADJUST			
23	+	123134-04260	1	SCREW, IDLE ADJUST			
24	+	P003-004190	2	NEEDLE			
25	+	123127-15030	2	RING			

4. CARBURETOR



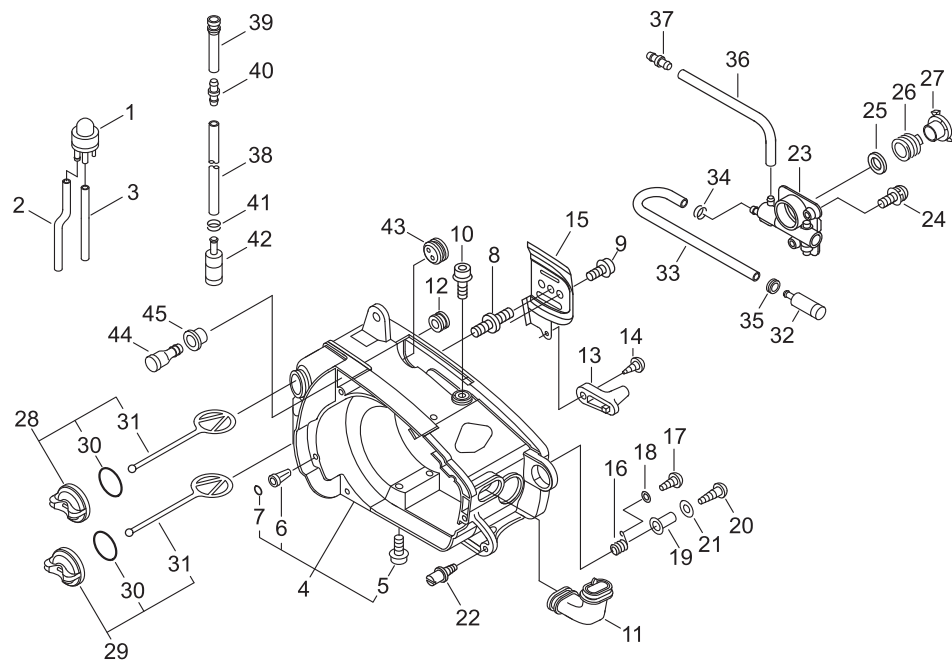
KEY	LV	PART NUMBER	Q'TY	DESCRIPTION	REMARKS	NOTE1	NOTE2
26	+	P003-000410	1	VALVE CHOKE			
27	+	P003-002260	1	SPRING			
28	+	123149-26030	1	WASHER			
29	+	P003-001140	1	SHAFT, CHOKE			
30	+	P003-001510	1	LEVER-FAST IDLE			
31	+	123130-02960	4	SCREW			

5. ENGINE COVER



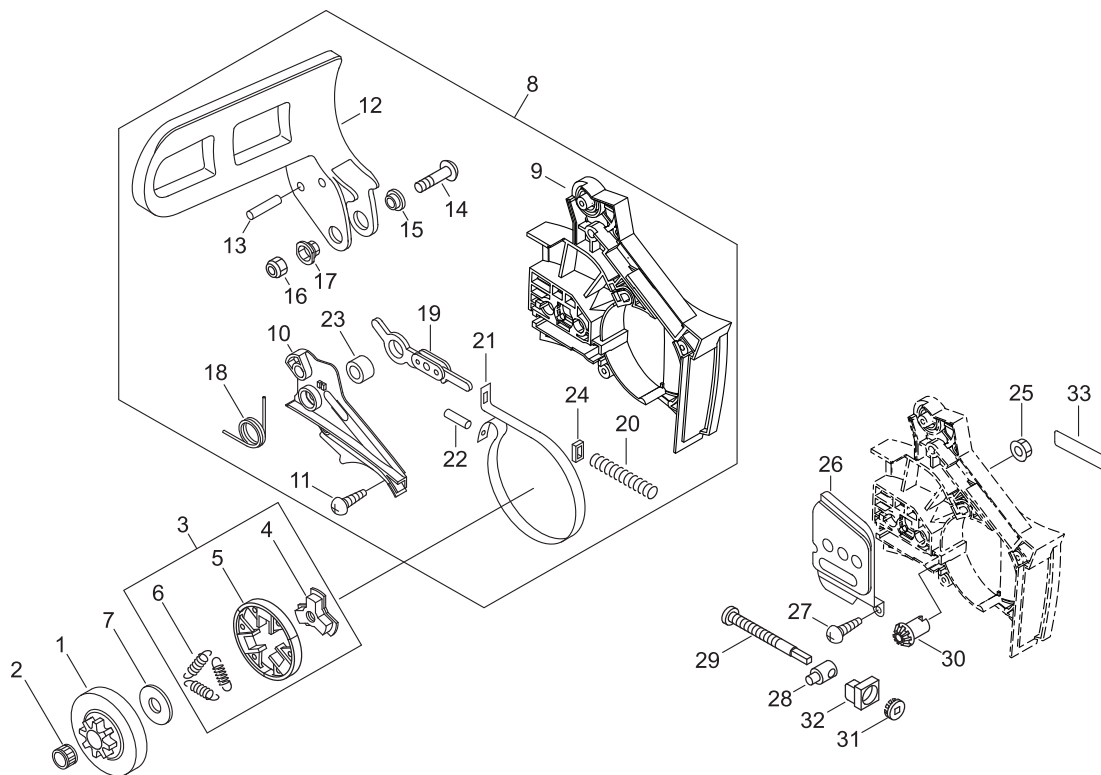
KEY	LV	PART NUMBER	Q'TY	DESCRIPTION	REMARKS	NOTE1	NOTE2
1		123181-39130	1	PUMP, PRIMER			
2		V471-001270	1	PIPE	2.4*5*285		
3		V471-001280	1	PIPE	2.4*5*105		
4		P021-003438	1	COVER ENGINE			
5	+	900106-05025	2	BOLT, H.S. 5*25	5*25		
6	+	436114-13930	1	VALVE, CHECK			
7	+	900724-00004	1	O-RING (S-4)	S-4		
8		V225-000031	1	BOLT, STUD 8	M8		
9		V202-000011	2	BOLT, 4	4*12		
10		900162-05018	2	BOLT, H.S. 5*18	5*18 W, SW		
11		A239-000030	1	PIPE, INTAKE	L TYPE		
12		163911-30130	1	PLUG			
13		433026-35430	1	CATCHER, CHAIN			
14		900253-05020	1	SCREW 5*20	5*20		
15		C305-000023	1	PLATE, SPROCKET GUARD			
16		V450-000080	1	SPRING, COMPRESSION			
17		900253-04012	1	SCREW	4*12		
18		900602-00004	1	WASHER 4	4.3*9*0.8		
19		V352-000020	1	COLLAR, 4			
20		91481-04035	1	SCREW TAPPING			
21		177214-04630	1	WASHER	4.1*15.5*1T		
22		V202-000020	1	BOLT, 4			
23		C022-000020	1	AUTO-OILER ASSEMBLY			
24		900238-04012	2	SCREW 4*12	4*12		

5. ENGINE COVER



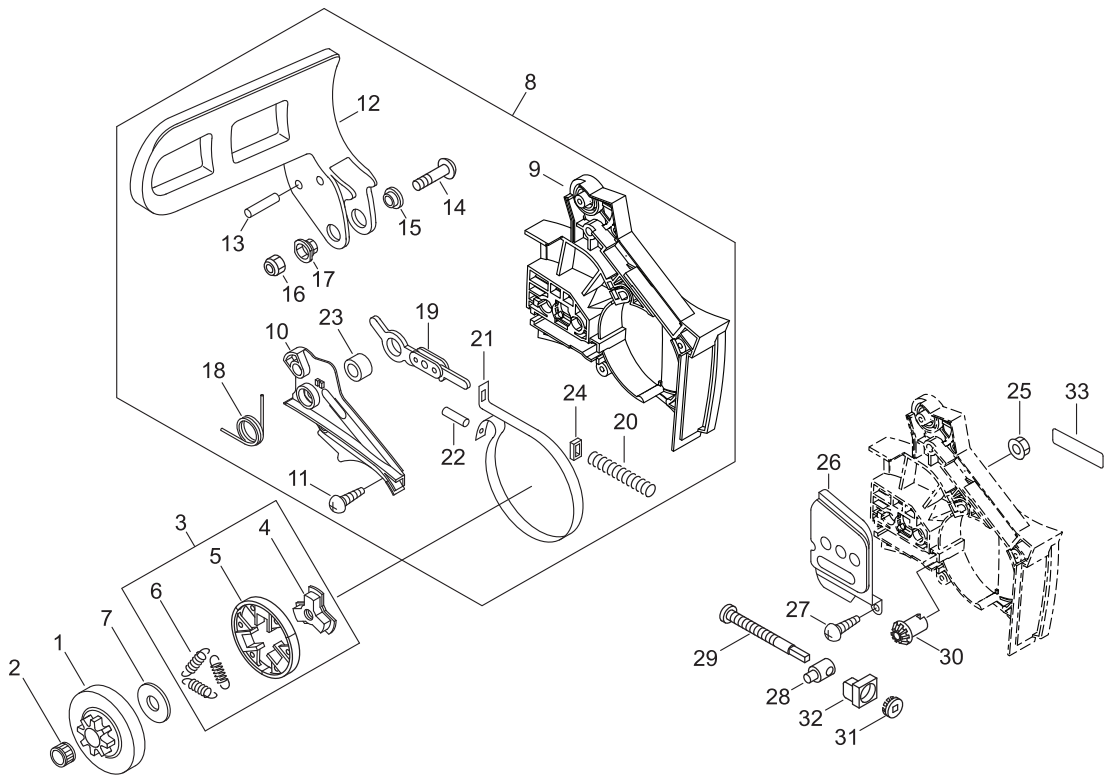
KEY	LV	PART NUMBER	Q'TY	DESCRIPTION	REMARKS	NOTE1	NOTE2
25		V308-000030	1	WASHER,CIRCULAR 11	10.5*17.4*1.8		
26		V652-000030	1	GEAR,WORM			
27		V356-000290	1	COLLAR,10			
28		P021-005591	1	CAP ASY			
30	+	900720-00018	1	O-RING 18	P-18		
31	+	A365-000050	1	CONNECTOR,CAP			
29		P021-005581	1	OIL CAP ASY			
30	+	900720-00018	1	O-RING 18	P-18		
31	+	A365-000050	1	CONNECTOR,CAP			
32		436205-02832	1	STRAINER, OIL			
33		132010-22130	1	PIPE, FUEL	3*6*150L NBR		
34		V490-001230	1	CLIP			
35		132115-01461	1	GROMMET			
36		132012-11960	1	PIPE 3* 6* 45	3*6*45 NBR		
37		V187-000010	1	NIPPLE			
38		V471-001230	1	PIPE	3*5*210 NBR		
39		V470-000321	1	PIPE	10*6*L32		
40		V186-000510	1	JOINT,PIPE			
41		V490-001240	1	CLIP			
42		A369-000420	1	STRAINER, FUEL	ES-16499		
43		132115-44330	2	GROMMET			
44		131300-56431	1	VENT ASSEMBLY, FUEL			
45		V137-000000	1	GROMMET,FUEL			

6. CLUTCH, SPROCKET



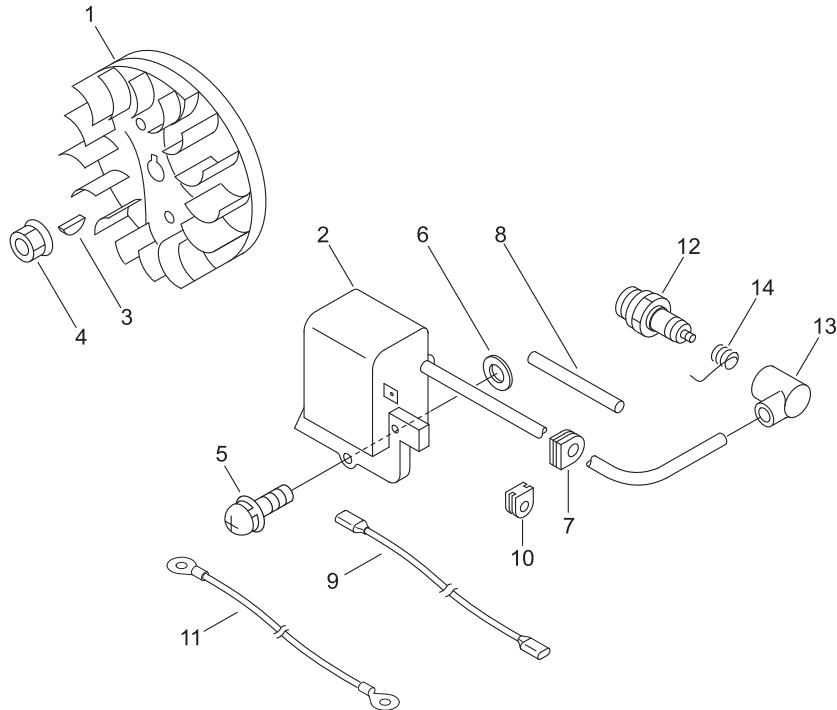
KEY	LV	PART NUMBER	Q'TY	DESCRIPTION	REMARKS	NOTE1	NOTE2
1		A556-000091	1	DRUM,CLUTCH	3/8A		
2		V555-000170	1	BEARING,NEEDLE 10	8E-KV10*13*12.8		
3		A056-000030	1	CLUTCH			
4	+	A552-000020	1	HUB,CLUTCH			
5	+	P021-001950	1	CLUTCH SHOE SET			
6	+	V451-000150	3	SPRING,TENSION			
7		A551-000010	1	PLATE,CLUTCH			
8		C032-000137	1	BRAKE,ASM CHAIN			
9	+	C300-000172	1	GUARD,SPROCKET			
10	+	C345-000114	1	COVER,BRAKE			
11	+	900253-04012	2	SCREW	4*12		
12	+	C320-000047	1	LEVER,BRAKE			
13	+	900330-30260	2	ROLLER 3*26	3*26		
14	+	91318-05032	1	SCREW	5*32		
15	+	433167-39130	1	SPACER			
16	+	900562-50005	1	LOCKNUT 5	5		
17	+	V353-000060	1	COLLAR,5			
18	+	V452-000110	1	SPRING,TORSION			
19	+	C334-000070	1	CONNECTOR,BRAKE			
20	+	V450-000070	1	SPRING,COMPRESSION			
21	+	C328-000020	1	BAND,BRAKE			
22	+	93050-30098	1	ROLLER	F3*9.8		
23	+	433116-35430	1	SPACER 8	8*12*9		
24	+	V376-000450	1	SPACER			

6. CLUTCH, SPROCKET



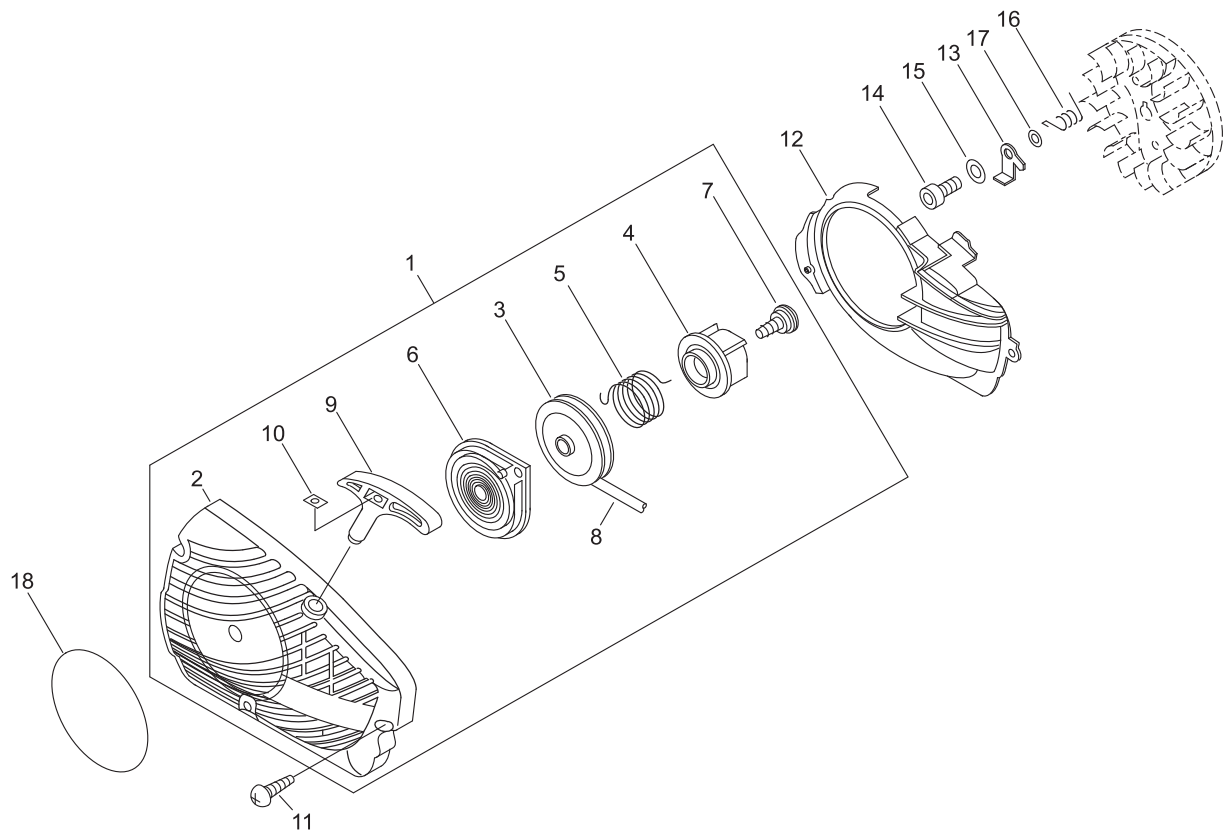
KEY	LV	PART NUMBER	Q'TY	DESCRIPTION	REMARKS	NOTE1	NOTE2
25		V265-000200	1	NUT			
26		C305-000031	1	PLATE,SPROCKET GUARD			
27		900253-04012	1	SCREW	4*12		
28		C309-000030	1	TENSIONER,CHAIN			
29		V203-000021	1	BOLT,5			
30		V651-000001	1	GEAR,BEVEL			
31		V651-000011	1	GEAR,BEVEL			
32		V355-000800	1	COLLAR,8			
33		X502-000340	1	LABEL,ECHO	ECHO(WHITE)		

7. MAGNETO



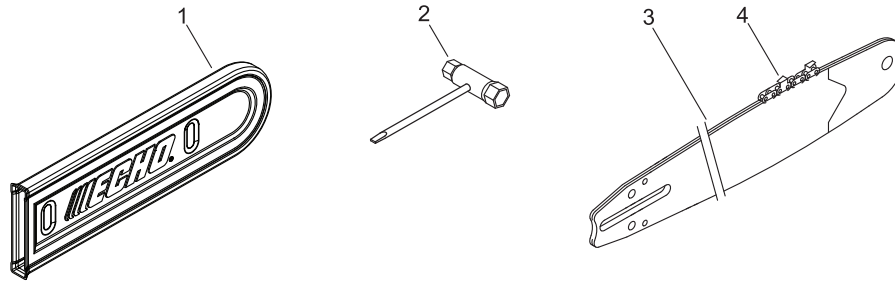
KEY	LV	PART NUMBER	Q'TY	DESCRIPTION	REMARKS	NOTE1	NOTE2
1		A409-001130	1	ROTOR, MAGNETO			
2		A411-001590	1	COIL, IGNITION			
3		100142-12330	1	KEY, WOODRUFF			
4		900515-00008	1	NUT, FLANGE 8	8		
5		900238-05018	2	SCREW 5*18	5*18		
6		150117-16430	2	SPACER			
7		156110-04920	1	BUSHING			
8		V475-001900	1	TUBE	7*8.6*30		
9		V485-000390	1	LEAD	JIS LA105,10.2		
10		156114-07320	1	GROMMET			
11		V485-000380	1	LEAD			
12		A425-000000	1	SPARKPLUG	BPMR8Y		
13		A427-000000	1	CAP, SPARK PLUG			
14		A426-000000	1	TERMINAL, SPARKPLUG			

8. RECOIL STARTER





KEY	LV	PART NUMBER	Q'TY	DESCRIPTION	REMARKS	NOTE1	NOTE2
1		A051-002421	1	STARTER,RECOIL ASY			
2	+	P022-037530	1	STARTER,RECOIL			
3	+	A506-000460	1	REEL,ROPE			
4	+	A507-000110	1	CATCHER,PAWL			
5	+	V452-001320	1	SPRING,TORSION			
6	+	P022-001330	1	SPRING KIT, REWIND			
7	+	177236-61830	1	SCREW			
8	+	P022-006220	1	ROPE			
9	+	P022-001320	1	GRIP, STARTER			
10	+	P022-037670	1	STOPPER, ROPE			
11		900256-04016	3	SCREW 4*16			
12		A172-002040	1	COVER,FAN			
13		A514-000020	2	PAWL			
14		V203-000080	2	BOLT,5	5*14		
15		900603-00005	2	WASHER 5	5.5*12*0.8		
16		V452-000030	2	SPRING,TORSION			
17		177247-04630	2	SPACER, RATCHET	5.2*8*2.1		
18		X502-000780	1	LABEL,ECHO			

9. ACCESSORIES



KEY	LV	PART NUMBER	Q'TY	DESCRIPTION	REMARKS	NOTE1	NOTE2
1		X490-000510	1	SCABBARD,CHAIN			
2		X602-000150	1	PLUG WRENCH			
3		X122-000072	1	BAR,GUIDE 30	30RC50M-3/8 ECHO		
4		X222-000140	1	CHAIN,SAW	91PX-47E		

10. GUIDE BAR, CHAIN

Pitch ピッチ	Gauge ゲージ	Length 長さ	Guide Bar ガイドバー		Saw Chain ソーチェーン		Hard Nose ハード ノーズ	Sprocket Nose スプロケット ノーズ
			Key №	Type 形式	Key №	Type 形式		
3/8 9.53	0.050 1.27	20	A1	20RC50S-3/8	A2	91PX-35E		
3/8 9.53	0.050 1.27	25	B1	25RC50S-3/8	B2	91PX-40E		●
3/8 9.53	0.050 1.27	30	C1	30RC50M-3/8	C2	91PX-47E		●
1/4 6.35	0.050 1.27	30	D1	30C50SL	D2	91VXL-53E	●	
					D3	91PX-53E		

KEY	LV	PART NUMBER	Q'TY	DESCRIPTION	REMARKS	NOTE1	NOTE2
A1		X120-000020	1	BAR,GUIDE20RC50S-3/8	20RC50S-3/8		
A2		X220-000020	1	CHAIN,SAW	91PX-35E		
B1		X121-000002	1	BAR,GUIDE25RC50S-3/8	25RC50S-3/8		
B2		X221-000100	1	CHAIN,SAW	91PX-40E		
C1		X122-000072	1	BAR,GUIDE 30	30RC50M-3/8 ECHO		
C2		X222-000140	1	CHAIN,SAW	91PX-47E		
D1		X102-000070	1	BAR,GUIDE 30	30C50SL ECHO		
D2		431611-10030	1	CHAIN, SAW 25AP-68E	25AP-68E		
D3		X202-000010	1	CHAIN,SAW	25A-68E		

Index

Patrs Number Key No.	Patrs Number Key No.	Patrs Number Key No.
100013-22330	1 - 10	890157-39131 3 - 36
100014-11520	1 - 8	890345-39231 3 - 34
100015-04630	1 - 9	900106-05025 5 - 5
100142-12330	7 - 3	900162-04012 1 - 13
100910-60030	3 - 29	900162-05018 5 - 10
100915-33930	3 - 31	900162-05022 1 - 2
100918-15130	3 - 28	900238-04012 5 - 24
100918-19830	3 - 30	900238-05018 7 - 5
123112-15030	4 - 6	900238-05050 3 - 2
123113-37530	4 - 18	900242-04010 2 - 7
123114-38830	4 - 21	900253-04008 3 - 16
123116-05960	4 - 16	900253-04012 3 - 10
123122-03660	4 - 11	900253-04012 5 - 17
123123-03930	4 - 14	900253-04012 6 - 11
123124-24430	4 - 3	900253-04012 6 - 27
123125-15030	4 - 5	900253-04016 2 - 10
123126-10631	4 - 2	900253-05020 3 - 14
123127-15030	4 - 25	900253-05020 5 - 14
123130-02960	4 - 31	900256-04016 8 - 11
123133-04260	4 - 22	900330-30260 6 - 13
123134-04260	4 - 23	900345-40025 3 - 20
123137-19830	4 - 7	900515-00008 7 - 4
123138-03930	4 - 13	900562-50005 6 - 16
123139-03930	4 - 12	900602-00004 5 - 18
123140-03930	4 - 8	900603-00005 8 - 15
123142-03930	4 - 10	900720-00018 5 - 30
123146-10631	4 - 15	900720-00018 5 - 30
123149-26030	4 - 28	900724-00004 5 - 7
123181-39130	5 - 1	900800-36001 1 - 5
130020-33330	3 - 8	91107-05045 2 - 4
131300-56431	5 - 44	91318-05032 6 - 14
132010-22130	5 - 33	91481-04035 5 - 20
132012-11960	5 - 36	93050-30098 6 - 22
132115-01461	5 - 35	A021-004290 3 - 1
132115-44330	5 - 43	A021-004290 4 -
150117-16430	7 - 6	A051-002421 8 - 1
156110-04920	7 - 7	A056-000030 6 - 3
156114-07320	7 - 10	A101-000630 1 - 11
163911-30130	5 - 12	A172-002040 8 - 12
177214-04630	5 - 21	A202-000001 1 - 12
177236-61830	8 - 7	A204-000060 3 - 3
177247-04630	8 - 17	A226-000260 3 - 4
178090-37930	3 - 23	A232-000191 3 - 5
431611-10030	10 - D2	A235-000140 3 - 11
433026-35430	5 - 13	A239-000030 5 - 11
433116-35430	6 - 23	A241-000060 3 - 24
433167-39130	6 - 15	A300-001641 2 - 1
436114-13930	5 - 6	A310-000420 2 - 6
436205-02832	5 - 32	A312-000060 2 - 8
		A313-001970 2 - 3
		A320-001030 2 - 9
		A365-000050 5 - 31
		A365-000050 5 - 31
		A369-000420 5 - 42
		A409-001130 7 - 1
		A411-001590 7 - 2
		A425-000000 7 - 12
		A426-000000 7 - 14
		A427-000000 7 - 13
		A440-000430 3 - 6
		A506-000460 8 - 3
		A507-000110 8 - 4
		A514-000020 8 - 13
		A551-000010 6 - 7
		A552-000020 6 - 4
		A556-000091 6 - 1
		C022-000020 5 - 23
		C032-000137 6 - 8
		C300-000172 6 - 9
		C305-000023 5 - 15
		C305-000031 6 - 26
		C309-000030 6 - 28
		C320-000047 6 - 12
		C328-000020 6 - 21
		C334-000070 6 - 19
		C345-000114 6 - 10
		C400-000200 3 - 13
		C410-000157 3 - 7
		C411-000001 3 - 9
		C450-000141 3 - 19
		C454-000080 3 - 21
		C617-000200 3 - 15
		P003-000410 4 - 26
		P003-001040 4 - 20
		P003-001140 4 - 29
		P003-001300 4 - 19
		P003-001510 4 - 30
		P003-001850 4 - 9
		P003-002260 4 - 27
		P003-002380 4 - 17
		P003-004190 4 - 24
		P003-005120 4 - 4
		P021-001950 6 - 5
		P021-003438 5 - 4
		P021-005581 5 - 29
		P021-005591 5 - 28
		P021-038072 1 - 3
		P021-044050 1 - 1

Index

Patrs Number Key No.		Patrs Number Key No.		Patrs Number Key No.	
P021-044060	1 - 7	V582-000020	3 - 12		
P022-001320	8 - 9	V651-000001	6 - 30		
P022-001330	8 - 6	V651-000011	6 - 31		
P022-006220	8 - 8	V652-000030	5 - 26		
P022-037530	8 - 2	X102-000070	10 - D1		
P022-037670	8 - 10	X120-000020	10 - A1		
V104-001850	2 - 5	X121-000002	10 - B1		
V104-001860	2 - 2	X122-000072	9 - 3		
V130-000000	3 - 25	X122-000072	10 - C1		
V137-000000	5 - 45	X202-000010	10 - D3		
V141-000050	3 - 17	X220-000020	10 - A2		
V142-000030	3 - 18	X221-000100	10 - B2		
V186-000510	5 - 40	X222-000140	9 - 4		
V187-000010	5 - 37	X222-000140	10 - C2		
V202-000011	5 - 9	X490-000510	9 - 1		
V202-000020	5 - 22	X502-000340	6 - 33		
V202-000670	3 - 27	X502-000780	8 - 18		
V203-000021	6 - 29	X503-012970	3 - 33		
V203-000080	8 - 14	X505-006921	3 - 35		
V225-000031	5 - 8	X505-007710	2 - 12		
V265-000200	6 - 25	X602-000150	9 - 2		
V308-000030	5 - 25				
V341-000180	2 - 11				
V352-000020	5 - 19				
V353-000060	6 - 17				
V355-000800	6 - 32				
V356-000290	5 - 27				
V358-000021	1 - 14				
V376-000450	6 - 24				
V401-000560	3 - 26				
V420-000930	3 - 32				
V450-000070	6 - 20				
V450-000080	5 - 16				
V451-000150	6 - 6				
V452-000030	8 - 16				
V452-000110	6 - 18				
V452-000260	3 - 22				
V452-001320	8 - 5				
V470-000321	5 - 39				
V471-001230	5 - 38				
V471-001270	5 - 2				
V471-001280	5 - 3				
V475-001900	7 - 8				
V485-000380	7 - 11				
V485-000390	7 - 9				
V490-001230	5 - 34				
V490-001240	5 - 41				
V505-000001	1 - 4				
V555-000170	6 - 2				

YAMABIKO CORPORATION

7-2 SUEHIROCHO 1-CHOME, OHME, TOKYO 198-8760, JAPAN
PHONE: 81-428-32-6118. FAX: 81-428-32-6145.



14Fb
No. 06-285